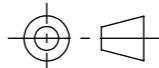



		DATE		TITLE:	
DRAWN	Dorus Bannenberg	10-7-2024		CRCO3_500_2000_450_R	
REVISION				Drawing.	CRCO3_500_2000_450_R
			Liessentstraat 4, 5405 AG Uden (NL). † 0031 (0)413 - 27 41 68. e info@furns.nl, i www.furns.nl		
Color:	-	Mass(kg): 106.03	SCALE:1:20	SHEET 1 OF 10	
					A3